



Main

Range of product	Preventa XY2
Product or component type	Enabling switch
Component name	XY2AU
Enclosure type	Double insulated

Complementary

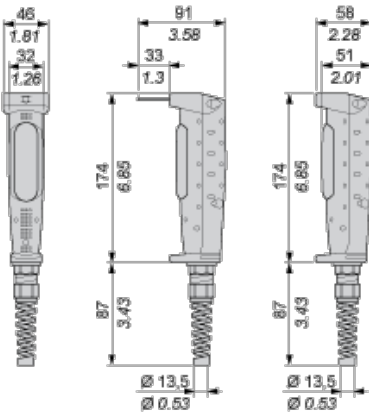
Contacts type and composition	2 NO + 1 NC
Operator position information	3 positions
Enclosure material	PA66
Connections - terminals	Terminal block : 1 x 0.34...1 x 1.5 mm ²
Mechanical durability	1000000 cycles
Cable entry	1 entry, 7...13 mm
Contact code designation	C300 with AC-15 utilisation category at 125 V, 0.75 A AC current conforming to IEC 60947-5-1 appendix A C300 with AC-15 utilisation category at 250 V, 1.5 A AC current conforming to IEC 60947-5-1 appendix A R300 with DC-13 utilisation category at 125 V, 0.22 A DC current conforming to IEC 60947-5-1 appendix A R300 with DC-13 utilisation category at 250 V, 0.1 A DC current conforming to IEC 60947-5-1 appendix A
[Ithe] conventional enclosed thermal current	5 A
[Ui] rated insulation voltage	250 V inside (degree of pollution: 2) conforming to IEC 60947-1 250 V outside (degree of pollution: 3) conforming to IEC 60947-1
[Uimp] rated impulse withstand voltage	2.5 kV conforming to EN 60947-1
Positive opening	With conforming to IEC 60947-5-1 appendix K
Contact operation	Slow-break
Resistance across terminals	
Operating force	12 N 50 N
Short-circuit protection	4 A fuse protection by cartridge fuse type gG
Product weight	0.31 kg

Environment

standards	CULus 508 EN/IEC 60947-1 EN/IEC 60947-5-1 CSA C22.2 No 14
protective treatment	TC
ambient air temperature for operation	-10...60 °C
ambient air temperature for storage	-40...70 °C
vibration resistance	6 gn (f = 5...55 Hz) conforming to IEC 60068-2-6
shock resistance	10 gn for 11 ms conforming to IEC 60068-2-27
electrical shock protection class	Class II conforming to EN/IEC 61140
IP degree of protection	IP66 conforming to IEC 60529
IK degree of protection	IK06 conforming to EN 50102

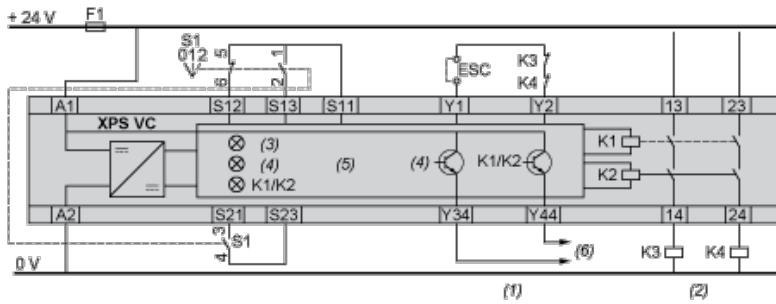
Dimensions

mm
in.



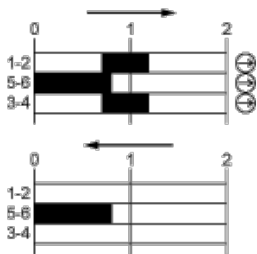
Wiring Diagram Example

With XPSVC Safety Module



ESC external start conditions

- (1) 2 solid state outputs
- (2) 2 safety outputs
- (3) supply A1/A2
- (4) fault
- (5) logic
- (6) to PLC



■ contact closed

□ contact open

⊖ N/C contact with positive opening operation