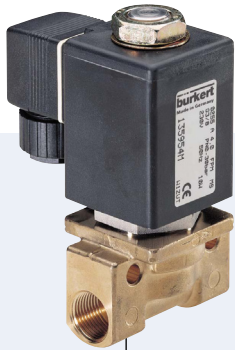


2/2 way Solenoid Valve for high pressures and temperatures



- Seat valve, direct-acting
- Pressure range up to 100 bar
- Media temperature up to 250 °C
- Push-over solenoid system
- For gases and fluids

Type 0255 can be combined with...



Type 2508
Cable plug



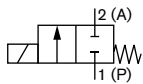
Type 1078
Timer unit



Type 2511
ASI cable plug

The direct-acting plunger solenoid valve Type 0255 is also suitable for high pressures and high temperatures.

Circuit function A



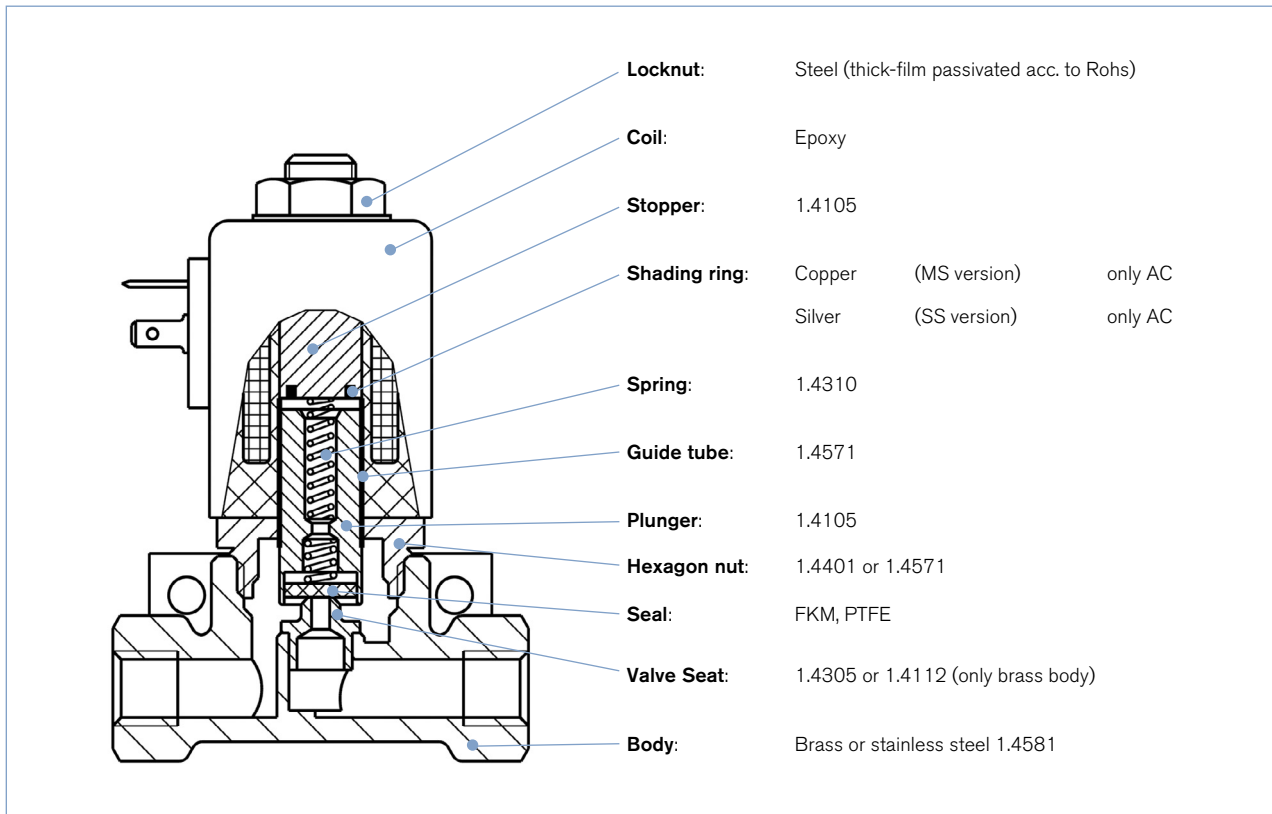
2/2 way direct-acting solenoid valve, normally closed

Technical data	
Orifice	DN1.0 ... 6.0 mm
Body material	Brass with stainless steel seat 1.4305 or stainless steel body 1.4581
Coil material	Epoxy
Coil insulation class	H
Seal material	FKM, PTFE (others on request)
Media	FKM PTFE
	Hot air, hot oils, oils with additives, per-solutions Water, steam, fuels, hydraulic materials, alcohol, organic solvents, waste gas
Media temperature	FKM PTFE Steel
	- 10 ... + 130 °C - 40 ... + 180 °C Up to + 250 °C (on request)
Viscosity	Max. 21 mm ² /s
Ambient temperature	Max. + 55 °C (250 °C on request), please see ordering chart
Voltage tolerance	± 10 %
Duty cycle	100% continuous rating
Electrical connection	Cable plug for Ø 7 mm cable, acc. to DIN EN 175 301-803 Form A (supplied as standard)
Protection class	IP65 with cable plug
Weight [kg]	0.6 (brass version)
Installation	As required, preferably with actuator upright

Power consumption			Response times				
Inrush AC [VA]	Hold (hot coil) ¹⁾		Orifice [mm]	Opening [ms]		Closing [ms]	
	AC [VA/W]	DC [W]		AC	DC	AC	DC
35 ... 40	16/10	approx. 12 (13)	1.0 ... 6.0	10 ... 20	20 ... 80	20 ... 30	20 ... 30

¹⁾ value in brackets at coil temperature 20 °C

Materials

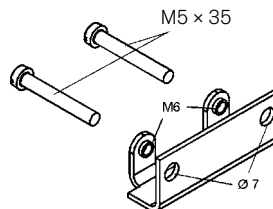


Mounting set

- 2 M5 × 35 cheesehead screws
- 1 mounting bracket

Valve mounted using mounting kit
Refer to the dimensional drawings for the valve

37 mm separation between the M5 threaded holes
48 mm separation between the Ø7 bores

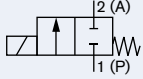


Item no. 151 287

(only for brass body versions)
Mounting set for stainless steel versions on request

Ordering chart for valves (other versions on request)

All valves with brass body and stainless steel seat or stainless steel body with cable plug included

Circuit function	Port connection	Orifice [mm]	K _v value water ¹⁾ [m ³ /h]	Pressure range [bar] ²⁾			Seal material	Item no. per voltage/frequency [V/Hz]			
				DC for gases and liquids	AC			024/DC	024/50	110/50	230/50
					for gases	for liquids					
A 2/2 way direct-acting solenoid valve, normally closed 	Brass body										
	G ¼	1.0	0.03	0 ... 100	0 ... 100	0 ... 100	PTFE	058360	020755	–	067692
		2.0	0.12	0 ... 20	0 ... 60	0 ... 35	FKM	089888	020033	020101	064119
		3.0	0.25	0 ... 10	0 ... 25	0 ... 16	PTFE	052872	058421	058888	046865
		4.0	0.5	0 ... 4	0 ... 12	0 ... 10	PTFE	058796	065454	023897	053188
		5.0	0.65	0 ... 2	0 ... 7	0 ... 6	PTFE	020164	049194	049830	050879
		5.0	0.65	0 ... 2	0 ... 7	0 ... 6	FKM	–	–	–	052424
	G ⅜	4.0	0.5	0 ... 4	0 ... 12	0 ... 10	PTFE	065438	059100	046886	051143
		5.0	0.65	–	0 ... 16	0 ... 6	FKM	–	022551	–	025885
		5.0	0.65	0 ... 2	0 ... 7	0 ... 6	PTFE	020664	057644	023581	050880
		6.0	0.8	0 ... 1	0 ... 5	0 ... 4	PTFE	053764	050389	066222	051324
	G ½ ³⁾	4.0	0.5	0 ... 4	0 ... 12	0 ... 10	PTFE	089404	–	089403	076551
		6.0	0.8	0 ... 1	0 ... 5	0 ... 4	FKM	135958	135959	135947	135950
	Stainless steel body										
	G ¼ ³⁾	1.0	0.03	0 ... 100	0 ... 100	0 ... 100	PTFE	018004	078420	–	019862
		3.0	0.25	0 ... 10	0 ... 25	0 ... 16	PTFE	021554	018593	–	061010
		4.0	0.5	0 ... 4	0 ... 12	0 ... 10	PTFE	021251	020468	–	023279
		5.0	0.65	0 ... 2	0 ... 7	0 ... 6	PTFE	125097	019991	086924	025250
	G ½ ³⁾	3.0	0.25	0 ... 10	0 ... 25	0 ... 16	PTFE	019204	059254	–	055506
		4.0	0.5	0 ... 4	0 ... 12	0 ... 10	PTFE	065684	066932	–	054473
6.0		0.8	0 ... 1	0 ... 5	0 ... 4	FKM	022504	052859	067990	054811	

¹⁾ Flow rate; K_v value water [m³/h] measured at +20 °C, 1 bar pressure at valve inlet and free outlet

²⁾ Pressure valves [bar]; gauge pressures with respect to the prevailing atmosphere pressure (the pressure rates for liquids are specified on the type plate)

³⁾ All versions with mounting bracket included

i Further versions on request



Approvals

UL, UR, CSA, ATEX, CGA/AGA



Temperature

High temperature version up to 250 °C



Materials

Seal material EPDM, NBR



Analytical

Silicon, oil and fat-free version for oxygen

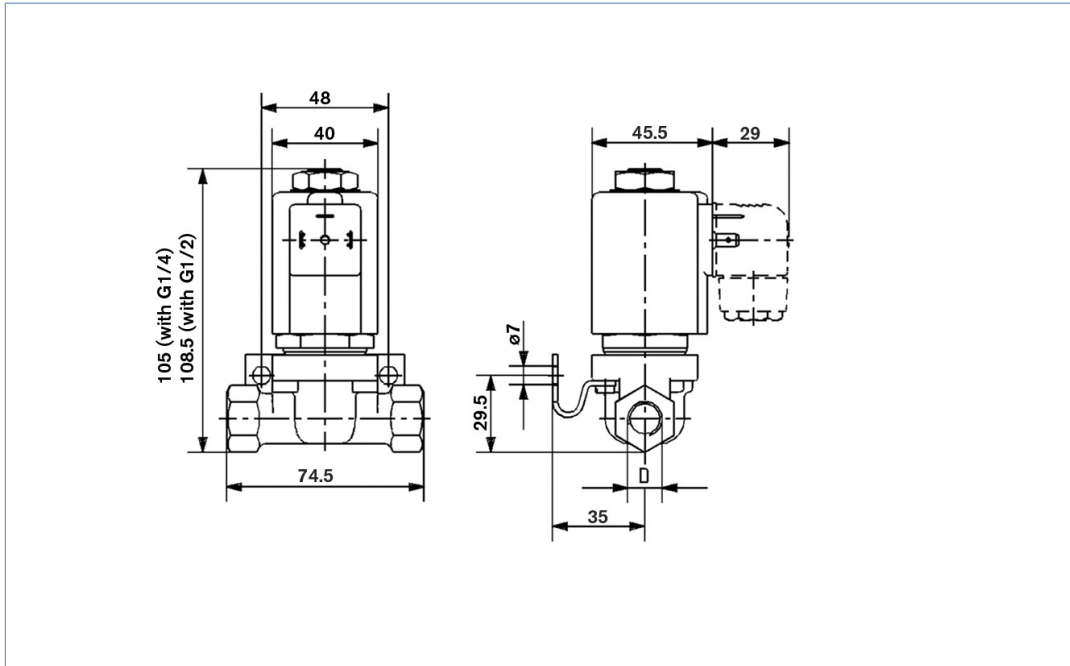


Pressure

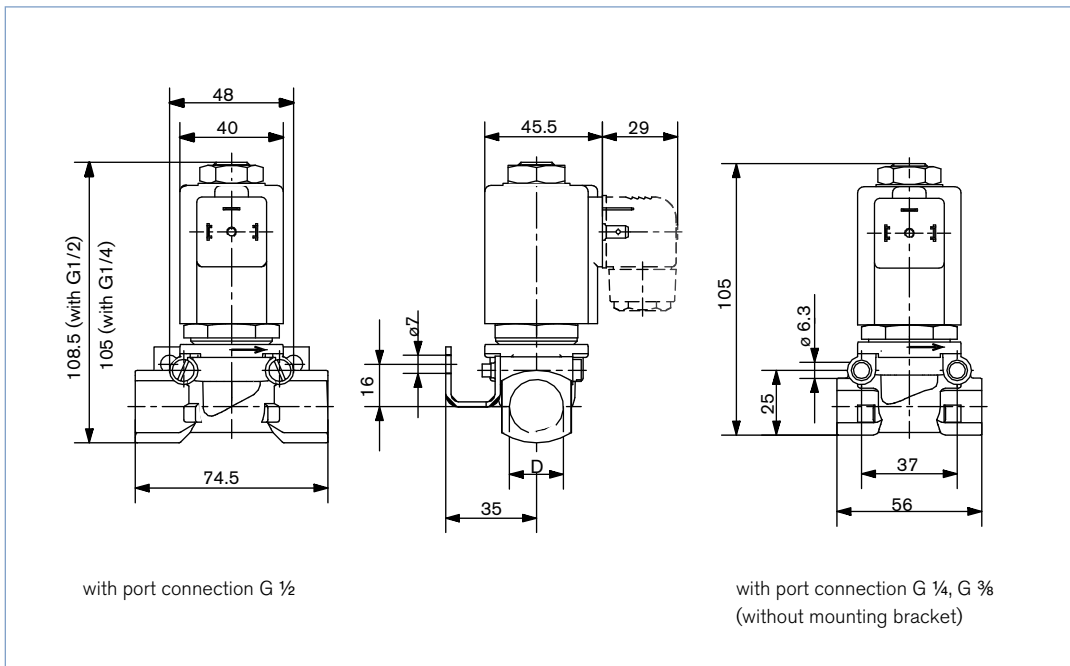
High performance version with high power electronic for higher pressures.

Dimensions [mm]

Stainless steel version



Brass version



To find your nearest Bürkert facility, click on the orange box →

www.burkert.com

In case of special application conditions,
please consult for advice.

Subject to alterations
© Christian Bürkert GmbH & Co. KG

1712/4_EU-en_00891614